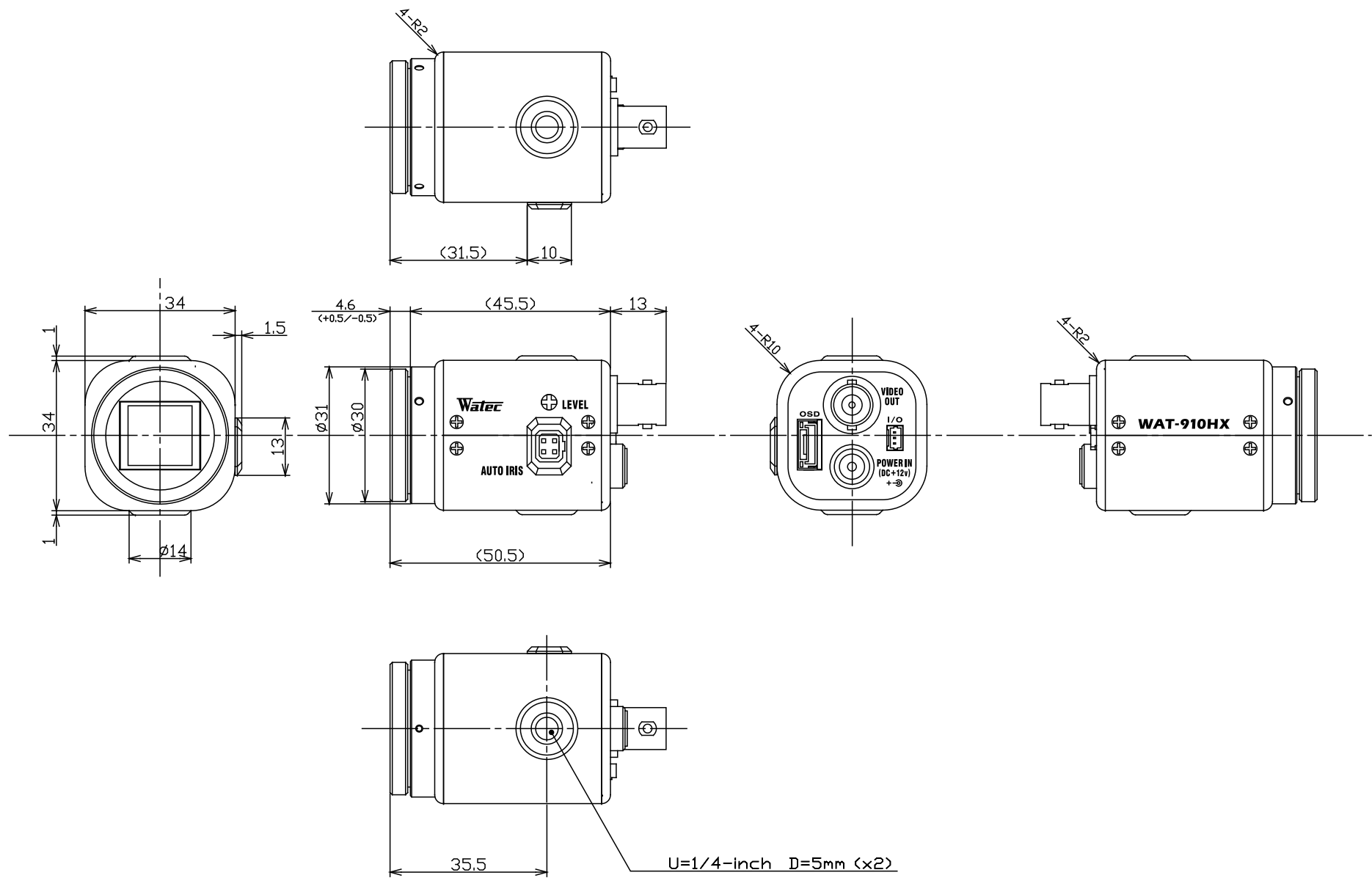


SPECIFICATIONS

Model		WAT-910HX/RC (EIA)	WAT-910HX/RC (CCIR)
Pick-up element		1/2 inch interline transfer CCD image sensor	
Number of total pixels		811(H) × 508(V)	795(H) × 596(V)
Number of effective pixels		768(H) × 494(V)	752(H) × 582(V)
Unit cell size		8.4μm(H) × 9.8μm(V)	8.6μm(H) × 8.3μm(V)
Synchronizing system		Internal	
Scanning system		2:1 interlace	
Video output		Composite Video, 1.0 V(p-p), 75 Ω, unbalanced	
Resolution (Horizontal)		More than 570TVL (Center)	
Minimum illumination		0.000005lx. F1.4 (Shutter: x256, AGC: HIGH, γ :0.35)	
S/N		More than 52dB (AGC=6dB, γ =1.0)	
Function settings		OSD (On Screen Display) operated by remote controller	
Electronic iris		1/60-1/100000 sec.	1/50-1/100000 sec.
		x256(field) *selectable -1/100000 sec.	
Electronic shutter		x2, x4, x8, x16, x32, x64, x128, x256 (field)	
		1/60, 1/100 sec.	1/50, 1/120 sec.
		1/250, 1/500, 1/1000, 1/2000, 1/5000, 1/10000, 1/100000 sec.	
AGC	ON	LOW: 6-30dB / MID: 6-34.5dB / HIGH: 6-41dB	
	OFF	6-41dB (1dB step) *selectable	
Gamma characteristics		γ ≐0.05-1.00 (0.05 step), USER *selectable	
Noise reduction		3DNR ON *selectable / OFF	
Wide dynamic range		WDR(Digital Wide Dynamic Range) USER1 / USER2 / OFF	
Motion detection		Max. 4 areas selectable (Out-put terminal available)	
Lens iris		Video / DC (Auto-select)	
Back light compensation		OFF / BLC / HSBLC	
White blemish correction		Up to 64 dots correctable by OSD operation	
Power supply		DC+12V±10%	
Power consumption		1.38W (115mA)	
Operating temperature		-10 – +50°C	
Storage temperature		-30 – +70°C	
Operating / Storage humidity		Less than 95% RH (Without condensation)	
Lens mount		CS (Back focus adjustable)	
Weight		Approx. 83g	

※Design and specifications are subject to change without notice.

DIMENSIONS (mm)



DIMENSIONS (mm)

